



M1 - THE ULTIMATE THEATER SEATING

What started strictly as a technology design exercise for the CDGi staff has quickly turned into the most admired home theater seating innovation of the year. As soon as we realized what gem we had on our hands we decided to go into production. You are now invited to enjoy the fruits of our true labor of love.



Features & Benefits

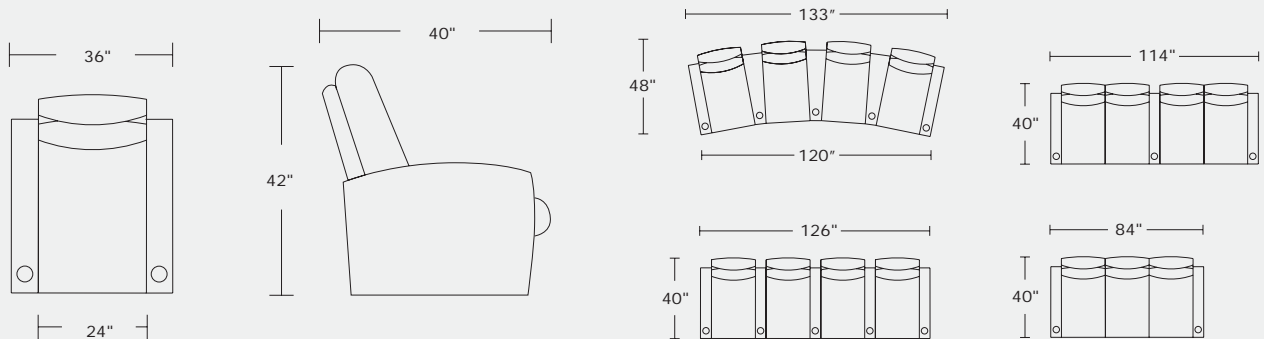
The M1 theater chair utilizes three separate motors—one motor each for the ottoman, back, and thigh support. The M1 offers the ultimate in user control. CDGi's innovative articulating head rest, reclining lounge back, and independent leg support is overfilled with Ultracell foam to provide the maximum in posterior bliss.

This extremely well made multi-contour chair offers superb comfort for even the longest movie experience. The construction quality is unmatched in the industry. Handcrafted with Kiln Dried Nordic Birch in the frame and stainless steel back supports, the M1 theater chair is constructed for a lifetime of use.

CDGi is offering the M1 with Elmosoft™ leather exclusively. Elmo Leather is Grade 5 leather, manufactured in Sweden, and is the most comfortable, durable and environmentally friendly leather in the world. The M1 is offered with a dazzling array of plush leather color choices to match any home theater environment.

While M1 is firmly rooted in the European tradition of exquisite style and design, we are proud that the M1, along with all our theater chairs, is manufactured right here in the USA.

Basic dimensions and a few common configurations



Seating Materials

High-quality selections of leather

Cinema Design Group, Int'l uses only Elmosoft™ leather. A soft and pliable top-grain semi-aniline leather.





HIGH-END THEATER SEATING

Effective theater seating is a perfect blend of aesthetics, luxuriating comfort, and functionality. That is the principle we follow in building all our theater seating from the most reasonably priced to the most exclusive. A theater chair can be as much an expression of the customer's inner self as any of the other elements of the theater. Customers are well advised to take time when considering their choice.



Omega



Lux



Paramount



STANDARD THEATER SEATING

Effective theater seating is a perfect blend of aesthetics, luxuriating comfort, and functionality. That is the principle we follow in building all out theater seating from the most reasonably priced to the most exclusive. A theater chair can be as much an expression of the customer's inner self as any of the other elements of the theater. Customers are well advised to take time when considering their choice.



Cosmopolitan



Carina Deco



Avalon



Rialto

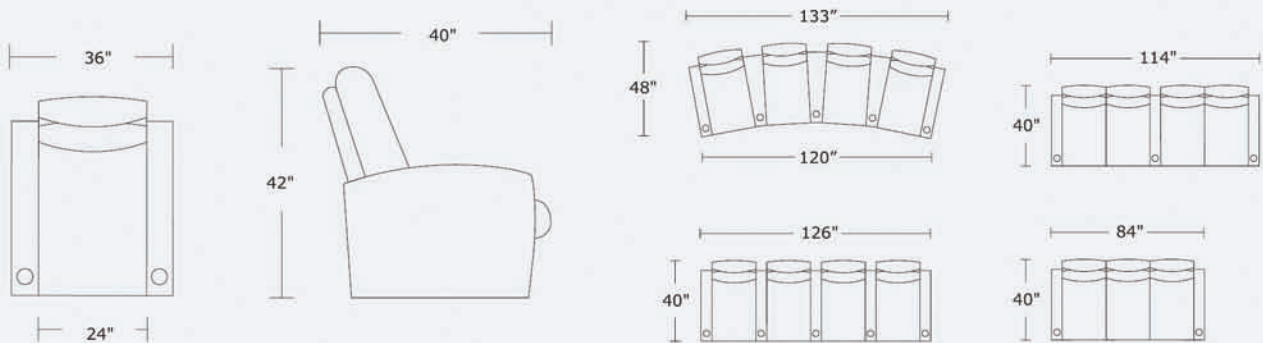
Dapprima Luna



Features & Benefits

- » **Ultravel Foam** — the best quality foam available; more polymers, less air. Eliminates the pancake effect of less dense foam. Eco-friendly—no fluorocarbons used in manufacture.
- » **Wood Components** — bolted rather than nailed, stapled, or screwed.
- » **Kiln-dried Nordic Birch Ply** — 50% stronger than standard ply. It does not warp, swell, or shrink over time. Guaranteed long life.
- » **Mechanism** — top-of-the-line high-tolerance European parts for smooth, quiet operation and long-lasting performance.
- » **Craftsmanship** — every chair is built by hand to exacting standards.

Basic dimensions and a few common configurations



Seating Materials

High-quality selections of leather

Cinema Design Group, Int'l uses only the most beautiful and sinuous leather seating. These full aniline dyed hides are offered in three grades to fit any home theater project.

Fabric theater seating

Theater seating materials are not limited to leather. Cinema Design Group, Int'l has a wide array of soft micro-fibers, and elegant designer fabrics. You may use your own material so your chairs will fit in perfectly with your existing home decor.

